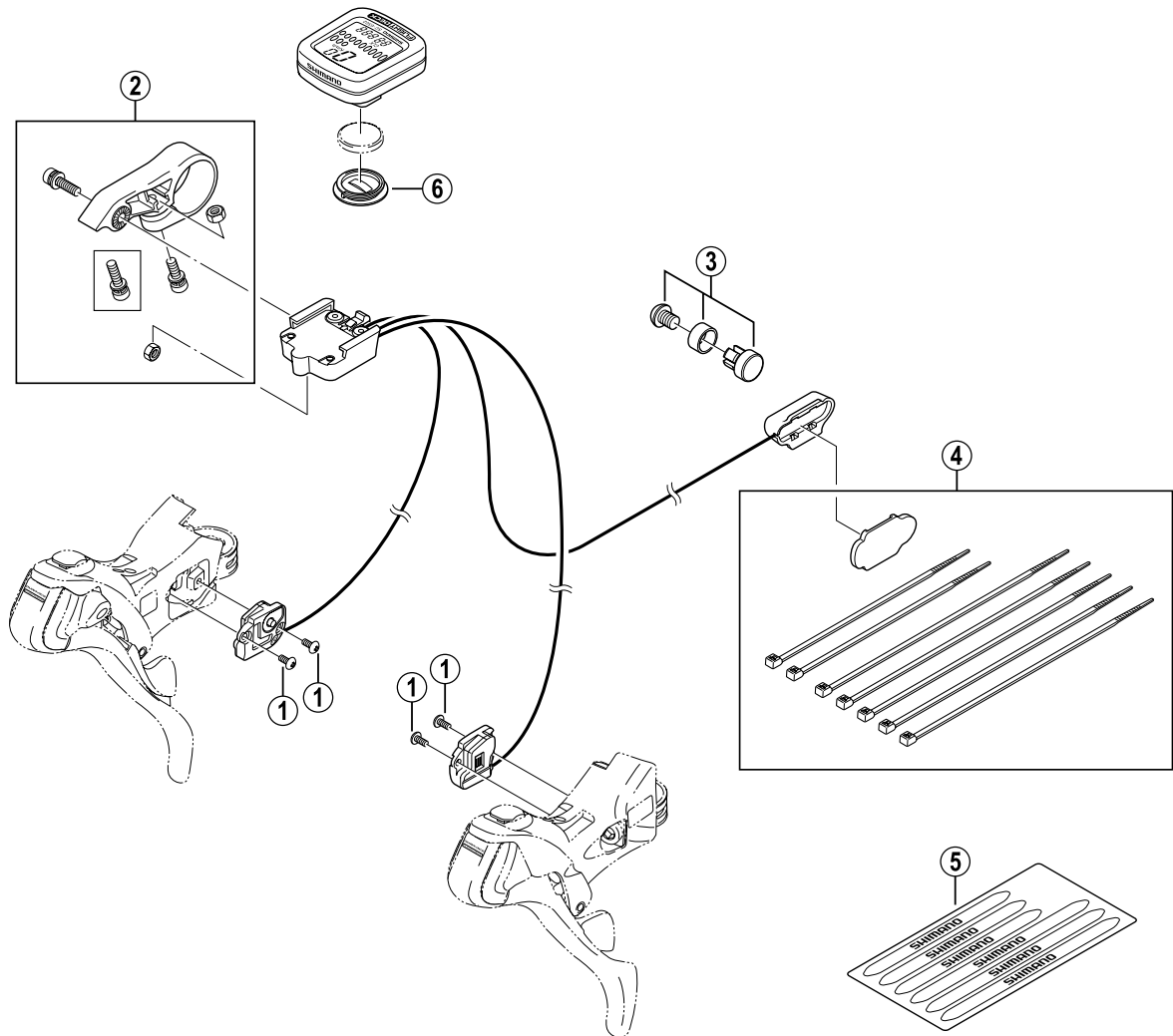


FLIGHT DECK STI Cycle Computer

SC-6502 Meter Unit

SM-6502 Bracket / Sensor Unit



ITEM NO.	SHIMANO CODE NO.	DESCRIPTION
1	Y-6JA 79000	Switch Box Fixing Screw (M2.6 x 6)
2	Y-7AP 98010	Clamp Band Unit (φ 25.4 mm – φ 26.0 mm)
	Y-7AP 98110	Clamp Band Unit (φ 31.8 mm)
3	Y-7C2 98010	Magnet Unit
4	Y-7C2 98020	Sensor Rubber Pad & Lock Tie
5	Y-7AB 55000	Cable Stopper Tape
6	Y-7AB 09000	Battery Cover

0507-2501